

## Kazalo Index Indice Inhalt

**NEW**

Cover caps

62



Cover profiles

63



**NEW**

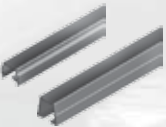
Gaskets for panels

64-66



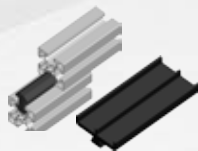
Cover profiles

67



Sliding profiles

68-70



Diferent casters

71-73



Leveling feet, Plates

74-75



Rollers

76



Block for panels

77



**NEW**

Hinges, hinges with levers

78-81



81-82

Bridge handles



83-85

Slams, locks door latches



85-86

**NEW** Magnets, magnetic catches



86-87

Roller mountings, Snap hooks



87

Cup holders



88-89

Sensor supports



90

Security magnetic switches



90

Thread forming taps



91

**NEW** Driling devices

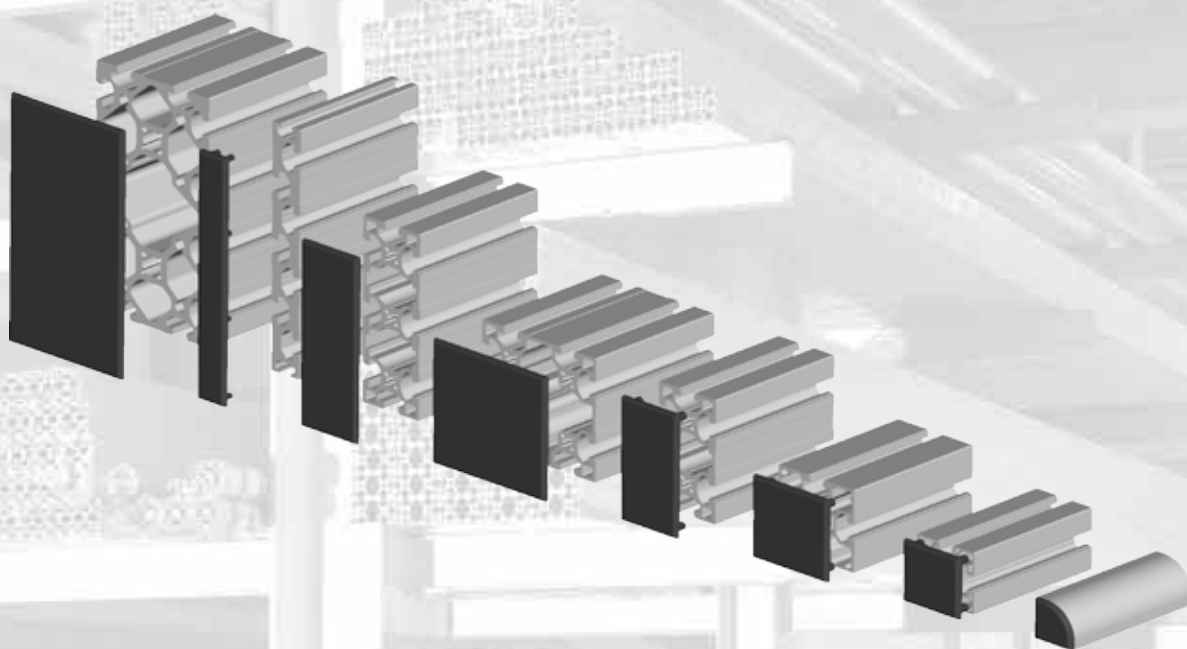


**Naziv**  
**Description**

Pokrovi profilov  
Cover caps

**Descrizione**  
**Beschreibung**

Tappi per Profili  
Abdeckkappen



**NEW**

**Material** PA 6  
**Material** PA 6  
**Materiale** PA 6  
**Material** PA 6  
**Barva** Črna  
**Color** Black  
**Colore** Nero  
**Farbe** Schwarz

\* Ostale barve po naročilu  
Other colors upon request  
Altri colori a richiesta  
Verschiedene Farbe möglich

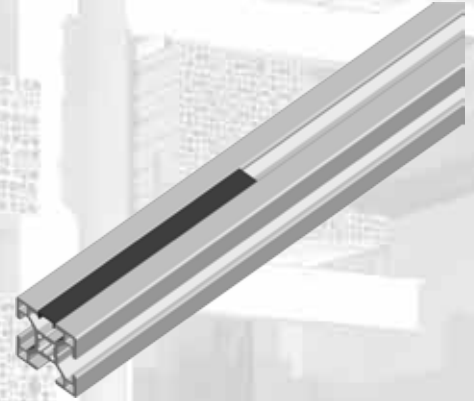
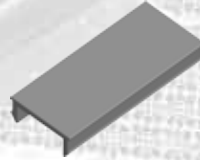
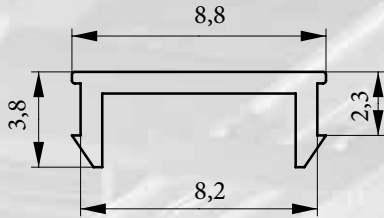
	<b>Code</b>
PA 18,5 X 32 4mm *	12001
PA 30 X 30 4mm *	12002
PA 30 X 30 4mm R *	12003
PA 30 X 60 4mm *	12004
PA 30 X 90 4mm *	12005
PA 40 X 40 4mm *	12124
PA 45 X 45 4mm *	12006
PA 45 X 45 4mm R *	12007
PA 45 X 60 4mm *	12008
PA 45 X 90 4mm *	12009
PA 45 X 135 4mm *	12010
PA 60 X 60 4mm *	12011
PA 60 X 90 4mm *	12012
PA 90 X 90 4mm *	12013
PA 90 X 180 4mm *	12014
PA 22,5 X 180 4mm *	12015

**Naziv**  
**Description**

Profil PA, AL pokrivni  
Cover profile PA, AL

**Descrizione**  
**Beschreibung**

Profilo di copertura PA, AL  
Abdeckprofile PA, AL



**Material** PA, AL  
**Material** PA, AL  
**Materiale** PA, AL  
**Material** PA, AL

\* Ostale barve po naročilu  
Other colors upon request  
Altri colori a richiesta  
Verschiedene Farbe möglich



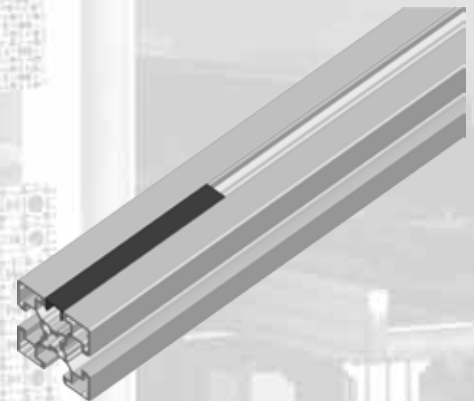
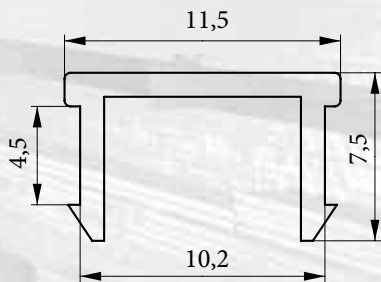
			<b>Code</b>
8	PA 2000mm U8	black*	12016
8	PA 2000mm U8	grey*	12017
8	AL 2000mm U8	nature	12101

**Naziv**  
**Description**

Profil PA, AL pokrivni  
Cover profile PA, AL

**Descrizione**  
**Beschreibung**

Profilo di copertura PA, AL  
Abdeckprofile PA, AL



**Material** PA, AL  
**Material** PA, AL  
**Materiale** PA, AL  
**Material** PA, AL

\* Ostale barve po naročilu  
Other colors upon request  
Altri colori a richiesta  
Verschiedene Farbe möglich



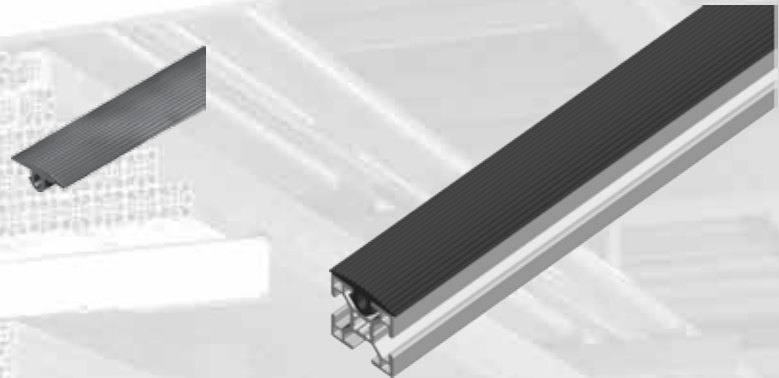
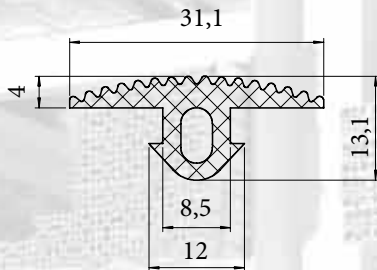
			<b>Code</b>
10	PA 2000mm U8	black*	12018
10	PA 2000mm U8	grey*	12019
10	AL 2000mm U8	nature	12100

**Naziv**  
**Description**

Profil pokrivni črn  
Profile cover black

**Descrizione**  
**Beschreibung**

Profilo di copertura nero  
Abdeckprofile Schwarz



**Material** NBR  
**Material** NBR  
**Materiale** NBR  
**Material** NBR  
**Barva** Črna  
**Color** Black  
**Colore** Nero  
**Farbe** Schwarz

**NEW**

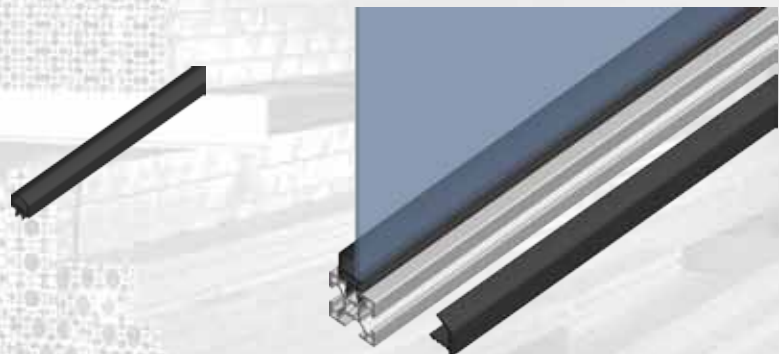
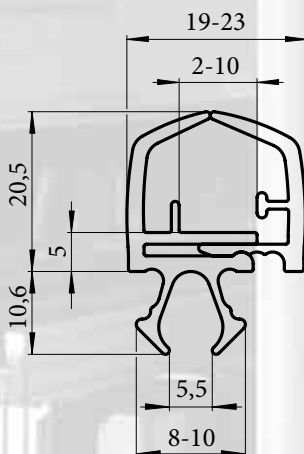
	<b>Code</b>
8/10	Profile cover black 12115

**Naziv**  
**Description**

Profil utorni  
Holder profile cover

**Descrizione**  
**Beschreibung**

Profilo di copertura - riduzione  
Einfasprofil



**Material** PP + TPE  
**Material** PP + TPE  
**Materiale** PP + TPE  
**Material** PP + TPE  
**Barva** Črna  
**Color** Black  
**Colore** Nero  
**Farbe** Schwarz

**NEW**

	<b>Code</b>
8/10	Holder profile cover 12116

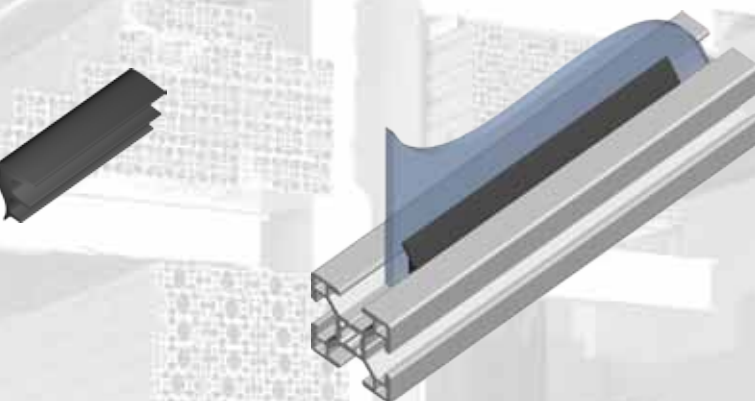
**Naziv**  
**Description**

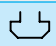
Guma za polnilno 1,5-2  
Gasket for panels 1,5-2

**Descrizione**  
**Beschreibung**

Guarnizione per pannelli 1,5-2  
Einfassprofil 1,5-2

**Material** TPE  
**Material** TPE  
**Materiale** TPE  
**Material** TPE  
**Barva** Črna  
**Color** Black  
**Colore** Nero  
**Farbe** Schwarz



	<b>Code</b>
10 1,5-2mm	12020

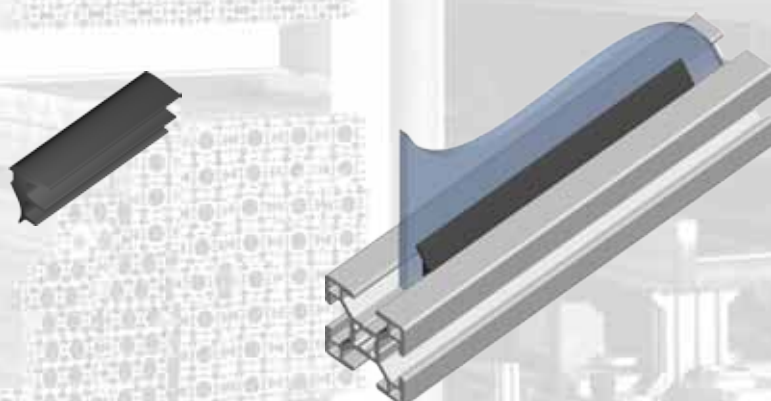
**Naziv**  
**Description**


Guma za polnilno 3-7  
Gasket for panels 3-7

**Descrizione**  
**Beschreibung**

Guarnizione per pannelli 3-7  
Einfassprofil 3-7

**Material** TPE  
**Material** TPE  
**Materiale** TPE  
**Material** TPE  
**Barva** Črna  
**Color** Black  
**Colore** Nero  
**Farbe** Schwarz



	<b>Code</b>
8 Gasket for panels 3-5mm	12021
10 Gasket for panels 5-7mm	12021


**Naziv**  
**Description**

Guma za polnilno 1-5  
Gasket for panels 1-5

**Descrizione**  
**Beschreibung**

Guarnizione per pannelli 1-5  
Einfassprofil 1-5

Material	TPE
Material	TPE
Materiale	TPE
Material	TPE
Barva	Črna
Color	Black
Colore	Nero
Farbe	Schwarz

		Code
8	Gasket for panels 1-3mm	12022
10	Gasket for panels 3-5mm	12022


**Naziv**  
**Description**

Guma za polnilno 6-8  
Gasket for panels 6-8

**Descrizione**  
**Beschreibung**

Guarnizione per pannelli 6-8  
Einfassprofil 6-8

Material	TPE
Material	TPE
Materiale	TPE
Material	TPE
Barva	Črna
Color	Black
Colore	Nero
Farbe	Schwarz

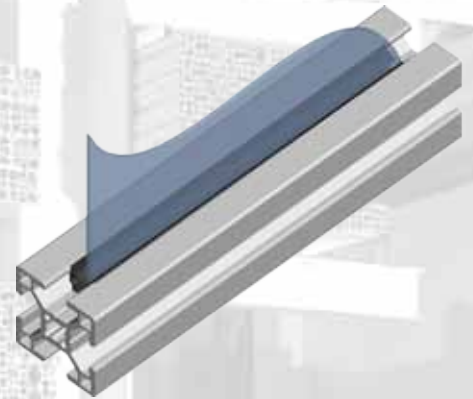
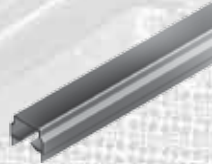
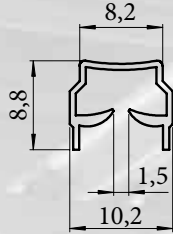
		Code
8	Gasket for panels 4-6mm	12023
10	Gasket for panels 6-8mm	12023

**Naziv**  
**Description**

Profil pokrivni / 2-6  
Cover profile / reduction 2-6

**Descrizione**  
**Beschreibung**

Profilo di copertura 2-6  
Einfassprofil 2-6



**Material** PP + TPE  
**Material** PP + TPE  
**Materiale** PP + TPE  
**Material** PP + TPE  
**Barva** Črna  
**Color** Black  
**Colore** Nero  
**Farbe** Schwarz



8

Gasket for panels 2-6 mm

**Code**

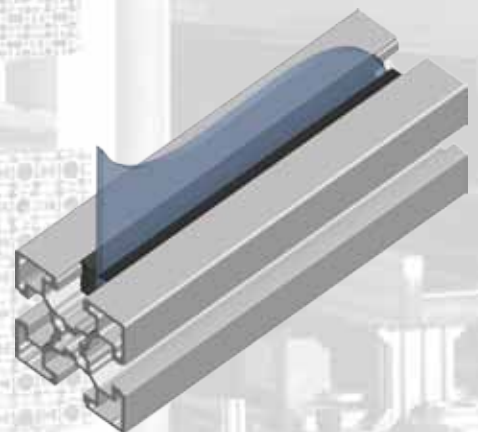
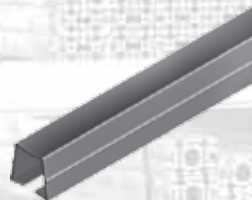
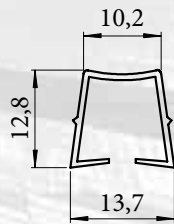
12024

**Naziv**  
**Description**

Profil pokrivni 2-8  
Cover profile / reduction 2-8

**Descrizione**  
**Beschreibung**

Profilo di copertura 2-8  
Einfassprofil 2-8



**Material** PP + TPE  
**Material** PP + TPE  
**Materiale** PP + TPE  
**Material** PP + TPE  
**Barva** Črna  
**Color** Black  
**Colore** Nero  
**Farbe** Schwarz



10

Gasket for panels 2-8 mm

**Code**

12025



# Accessories

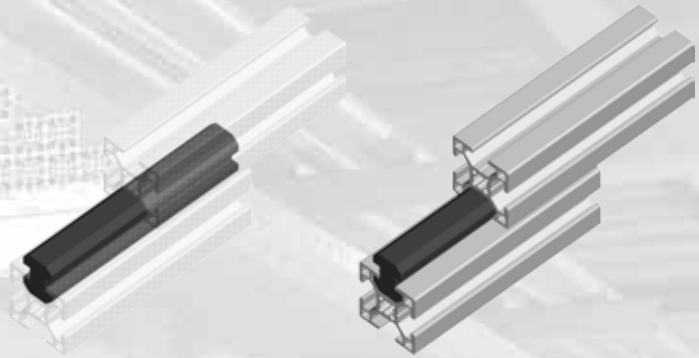
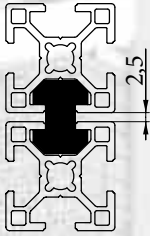
TRANSPORT LINES AND FLEXIBLE CONSTRUCTIONS IN AUTOMATION

**Naziv**  
**Description**


Profil vodilni  
Sliding profile

**Descrizione**  
**Beschreibung**

Profilo di scorrimento  
Gleiterprofil



- Material** PA
- Material** PA
- Materiale** PA
- Material** PA
- Barva** Črna
- Color** Black
- Colore** Nero
- Farbe** Schwarz

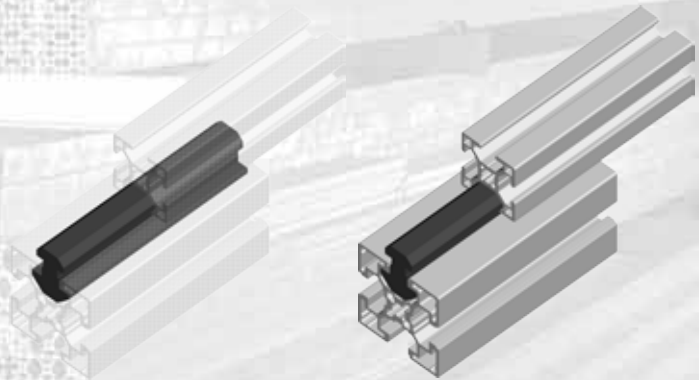
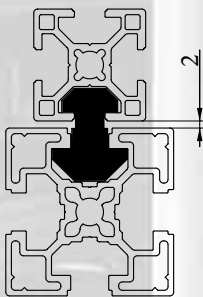
	<b>Code</b>
8/8	Sliding profile L 2000 mm
	12026

**Naziv**  
**Description**

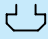
Profil vodilni  
Sliding profile

**Descrizione**  
**Beschreibung**

Profilo di scorrimento  
Gleiterprofil



- Material** PA
- Material** PA
- Materiale** PA
- Material** PA
- Barva** Črna
- Color** Black
- Colore** Nero
- Farbe** Schwarz

	<b>Code</b>
8/10	Sliding profile L 2000 mm
	12027

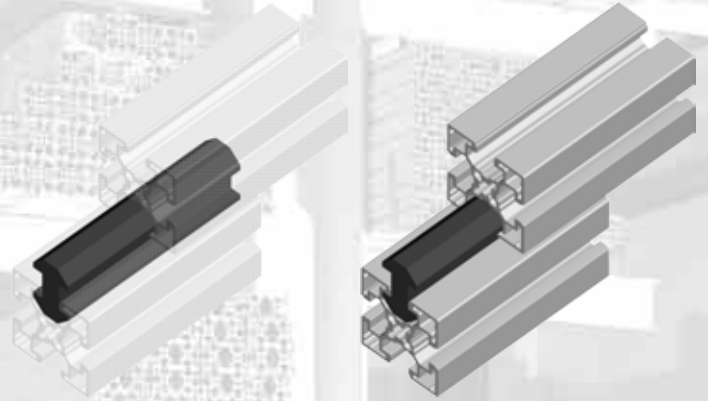
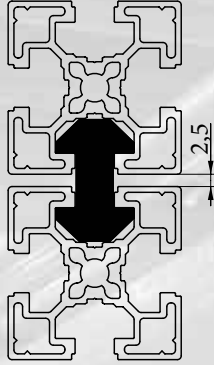


**Naziv**  
**Description**

Profil vodilni  
Sliding profile

**Descrizione**  
**Beschreibung**

Profilo di scorrimento  
Gleiterprofil



**Material** PA  
**Material** PA  
**Materiale** PA  
**Material** PA  
**Barva** Črna  
**Color** Black  
**Colore** Nero  
**Farbe** Schwarz



10/10

Sliding profile L 2000 mm

**Code**

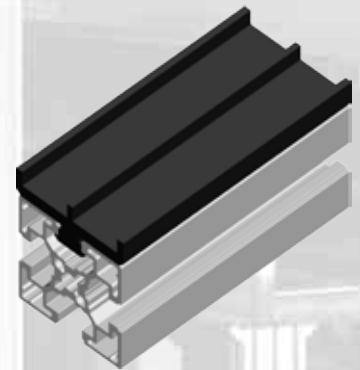
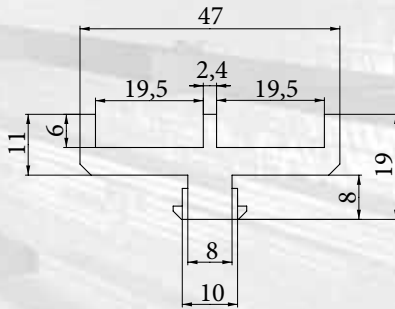
12028

**Naziv**  
**Description**

Profil vodilni  
Sliding profile

**Descrizione**  
**Beschreibung**

Profilo di scorrimento  
Gleiterprofil



\*

Za profil 18,5 x 32  
For profile 18,5 x 32  
Per profilo 18,5 x 32  
Für Profile 18,5 x 32

**Material** PA  
**Material** PA  
**Materiale** PA  
**Material** PA  
**Barva** Črna  
**Color** Black  
**Colore** Nero  
**Farbe** Schwarz



8/10

2 x 19,5 L 2000 mm\*

**Code**

12029



# Accessories

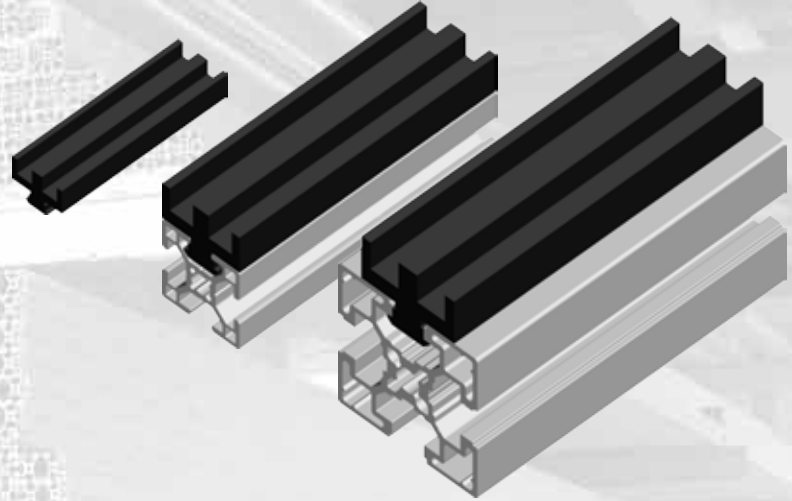
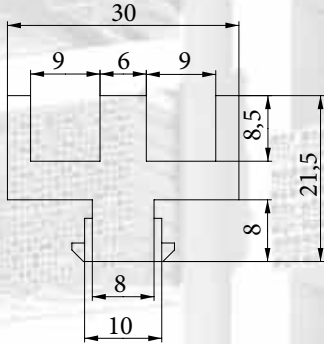
TRANSPORT LINES AND FLEXIBLE CONSTRUCTIONS IN AUTOMATION

**Naziv**  
**Description**

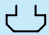
Profil vodilni  
Sliding profile

**Descrizione**  
**Beschreibung**

Profilo di scorrimento  
Gleiterprofil



**Material** PA  
**Material** PA  
**Materiale** PA  
**Material** PA  
**Barva** Črna  
**Color** Black  
**Colore** Nero  
**Farbe** Schwarz

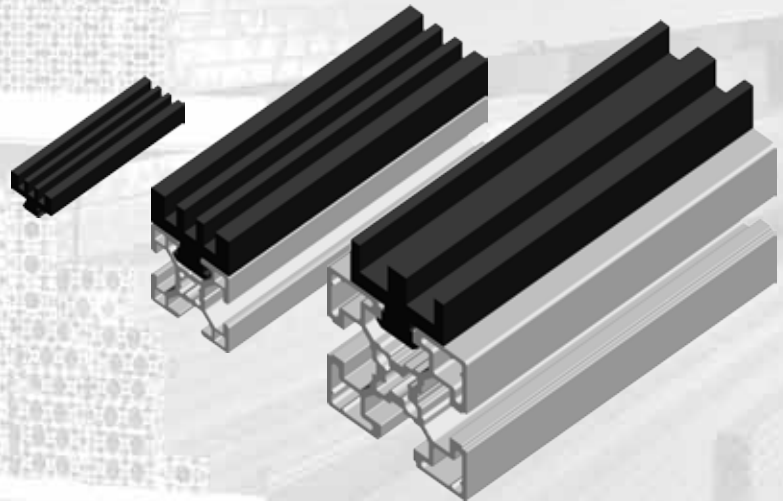
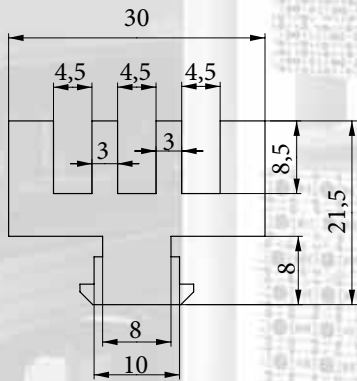
	<b>Code</b>
8/10	2 x 9 Sliding profile L 2000 mm 12030

**Naziv**  
**Description**

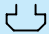
Profil vodilni  
Sliding profile

**Descrizione**  
**Beschreibung**

Profilo di scorrimento  
Gleiterprofil



**Material** PA  
**Material** PA  
**Materiale** PA  
**Material** PA  
**Barva** Črna  
**Color** Black  
**Colore** Nero  
**Farbe** Schwarz

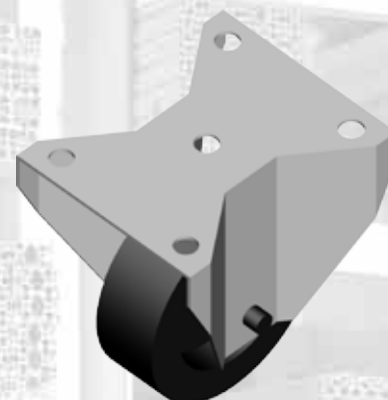
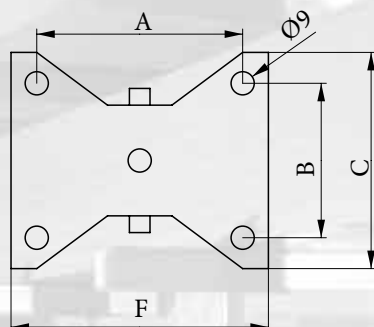
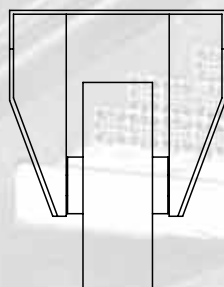
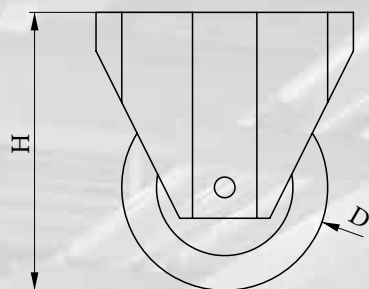
	<b>Code</b>
8/10	3 X 4,5 Sliding profile L 2000mm 12031

**Naziv**  
**Description**

Kolesa fiksna  
Fixed caster

**Descrizione**  
**Beschreibung**

Ruote fisse  
Fixrolle



Max. obremenitev  
Max. load  
Peso max. caricabile  
Max. Belastung

A	B	C	D	F	H	Max N	Code
80	60	84	80	100	108	500	12032
80	60	84	100	100	127	700	12033
80	60	84	125	100	155	1000	12034

**Material** Jeklen nosilec pocinkan / kolo z gumo  
**Material** Zinc plated pressed steel / rubber wheel  
**Materiale** Piastra lamiera zincata / ruota in gomma  
**Material** Stahlblech - verzinkt / Gummirad

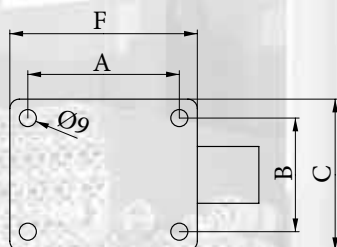
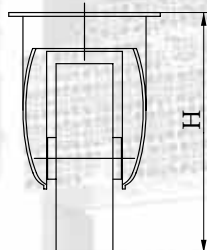
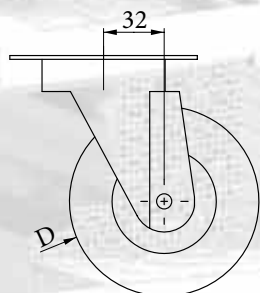
Ostali modeli po naročilu  
Other models on request  
Altri modelli a richiesta  
Andere modele auf Bestellung

**Naziv**  
**Description**

Kolesa vrtljiva s prirobnico  
Caster wheels with flange

**Descrizione**  
**Beschreibung**

Ruote pivotanti con flangia  
Drehrolle mit flansch



Max. obremenitev  
Max. load  
Peso max. caricabile  
Max. Belastung

A	B	C	D	F	H	Tipe*	Max N	Code
80	60	80	80	99	108	BZ	500	12035
80	60	80	80	99	108	ZZ	500	12036
100	60	80	100	99	127	BZ	700	12037
100	60	80	100	99	127	ZZ	700	12038
80	60	80	125	95	155	BZ	1000	12039
80	60	80	125	95	155	ZZ	1000	12040

**Material** Jeklen nosilec pocinkan / kolo z gumo  
**Material** Zinc plated pressed steel / rubber wheel  
**Materiale** Piastra lamiera zincata / ruota in gomma  
**Material** Stahlblech - verzinkt / Gummirad

\* BZ - brez zavore / ZZ- z zavoro  
 BZ - without brake / ZZ - with brake  
 BZ - senza freno / ZZ - con freno  
 BZ - ohne Bremse / ZZ - mit Bremse

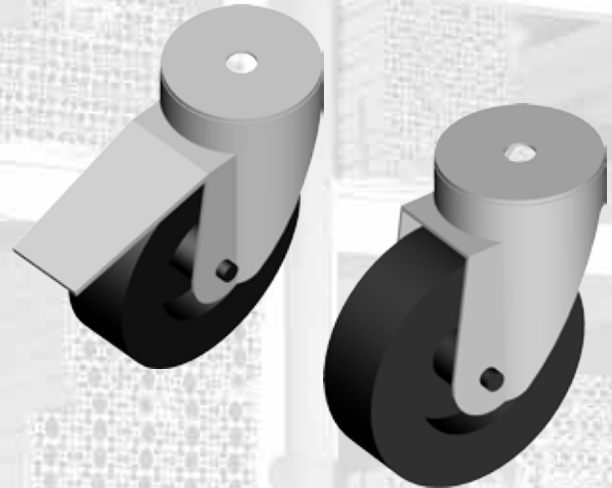
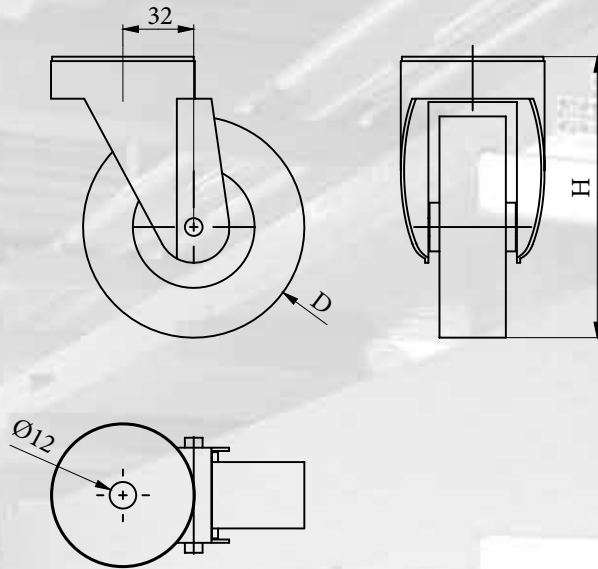
Ostali modeli po naročilu  
 Other models on request  
 Altri modelli a richiesta  
 Andere modele auf Bestellung

**Naziv**  
**Description**

Kolesa vrtljiva  
Caster wheels

**Descrizione**  
**Beschreibung**

Ruote pivottanti  
Drehrolle



Max. obremenitev  
Max. load  
Peso max. caricabile  
Max. Belastung

D	H	Type*	Max N	Code
80	108	BZ	500	12041
80	108	ZZ	500	12042
100	127	BZ	700	12043
100	127	ZZ	700	12044
125	155	BZ	1000	12045
125	155	ZZ	1000	12046

**Material** Jeklen nosilec pocinkan / kolo z gumo  
**Material** Zinc plated pressed steel / rubber wheel  
**Materiale** Piastra lamiera zincata / ruota in gomma  
**Material** Stahlblech - verzinkt / Gummirad

\* BZ - brez zavore / ZZ - z zavoro  
BZ - without brake / ZZ - with brake  
BZ - senza freno / ZZ - con freno  
BZ - ohne Bremse / ZZ - mit Bremse

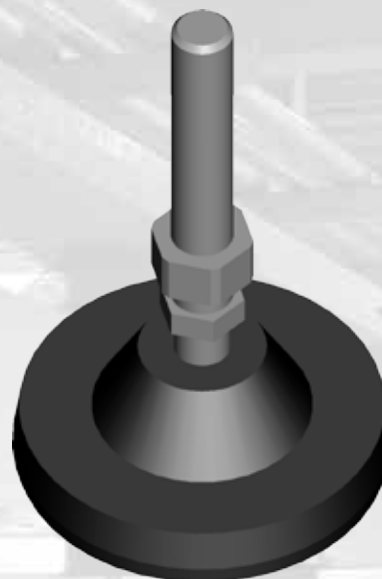
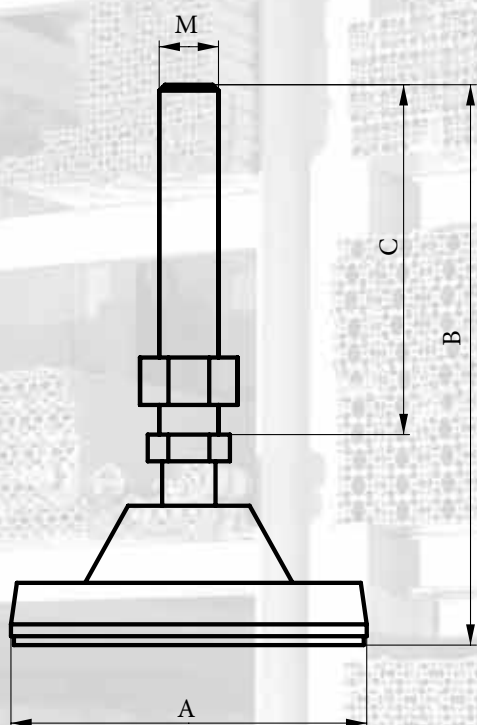
Ostali modeli po naročilu  
Other models on request  
Altri modelli a richiesta  
Andere modele auf Bestellung

**Naziv**  
**Description**

Noga nastavljiva  
Leveling feet

**Descrizione**  
**Beschreibung**

Piedini livellanti  
Gelenkfüsse



Max. obremenitev  
Max. load  
Peso max. caricabile  
Max. Belastung

A	M	B	C	Max N	Code
40	8	75	50	10000	12047
50	8	75	50	11000	12048
50	10	75	50	12000	12049
80	10	104	70	14000	12050
80	12	109	73	15000	12051
80	16	101	68	19000	12052
120	16	167	105	25000	12053
120	20	189	118	27000	12054
120	24	210	140	29000	12055

**Material** Steblo pocinkano / Poliamid s stekl. vlakni  
**Material** Zinc threaded rod / Fiberglass reinforced Nylon  
**Materiale** Stello zincato / Nylon con fibra di vetro  
**Material** Stahl verzinkt / PA mit Glasfaseranteil

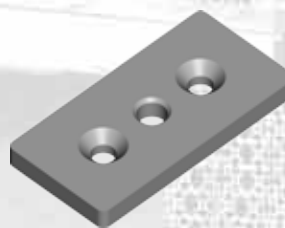
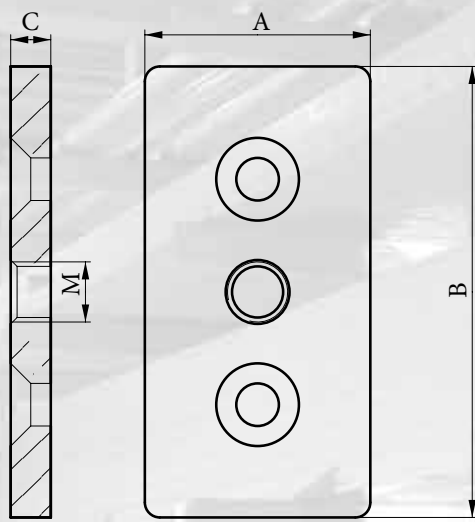
Ostali modeli po naročilu  
Other models on request  
Altri modelli a richiesta  
Andere modele auf Bestellung

**Naziv**  
**Description**

Plošča zaključna  
Plate

**Descrizione**  
**Beschreibung**

Piastra  
Schlussplatte



**Material** Pocinkano jeklo  
**Material** Zinc steel  
**Materiale** Acciaio zincato  
**Material** Stahl-verzinkt

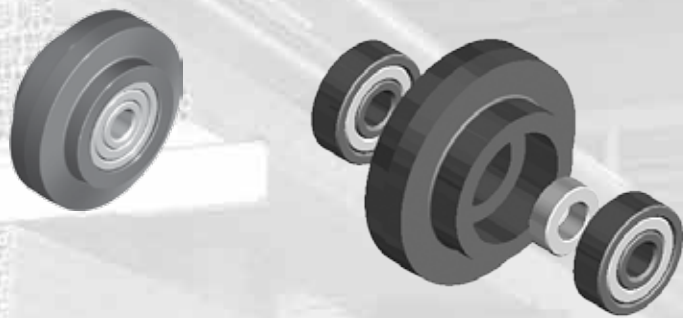
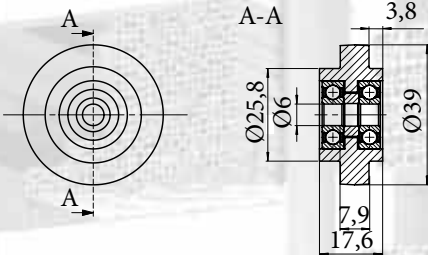
A	B	M	C	Code
30	60	8	8	12114
30	60	12	8	12056
30	90	12	8	12057
45	90	12	8	12058
45	90	16	8	12059
60	90	12	8	12060
60	90	16	8	12061
90	90	16	8	12062
90	90	20	8	12063

**Naziv**  
**Description**

Kolo vodilno  
Roller

**Descrizione**  
**Beschreibung**

Rotella di supporto  
Trägrolle



**Material** PA 6  
**Material** PA 6  
**Materiale** PA 6  
**Material** PA 6

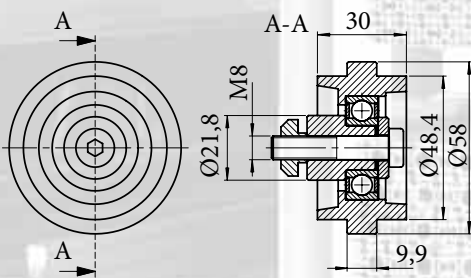
	<b>Code</b>
8	12064

**Naziv**  
**Description**

Kolo vodilno  
Roller

**Descrizione**  
**Beschreibung**

Rotella di supporto  
Trägrolle



**Material** PA 6  
**Material** PA 6  
**Materiale** PA 6  
**Material** PA 6

	<b>Code</b>
10	12065

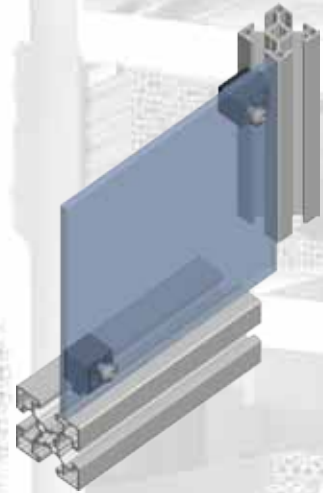
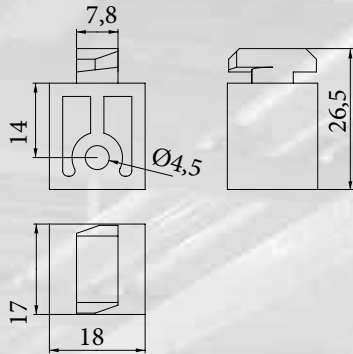


**Naziv**  
**Description**

Nosilec polnila  
Block for panels

**Descrizione**  
**Beschreibung**

Blocco per pannelli  
Variofix - Block



**Material** PA 6  
**Material** PA 6  
**Materiale** PA 6  
**Material** PA 6



8

Block for panels

**Code**

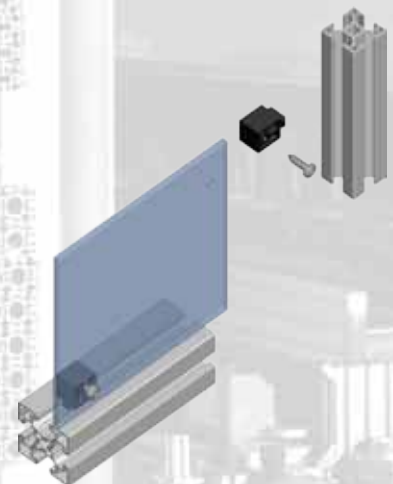
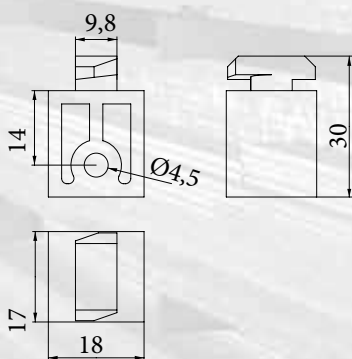
12066

**Naziv**  
**Description**

Nosilec polnila  
Block for panels

**Descrizione**  
**Beschreibung**

Blocco per pannelli  
Variofix - Block



**Material** PA 6  
**Material** PA 6  
**Materiale** PA 6  
**Material** PA 6



10

Block for panels

**Code**

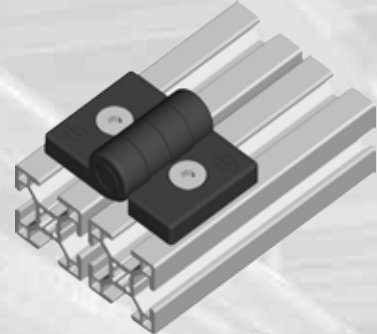
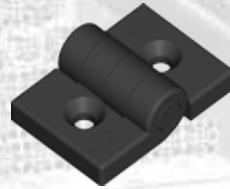
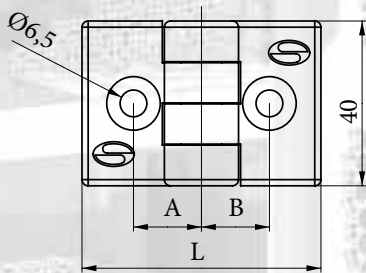
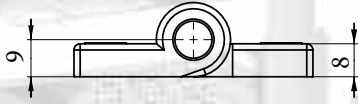
12067

**Naziv**  
**Description**

Tečaj PA  
Hinge PA

**Descrizione**  
**Beschreibung**

Cerniera PA  
Scharnier PA



**Material** PA 6  
**Material** PA 6  
**Materiale** PA 6  
**Material** PA 6

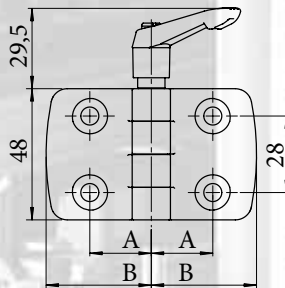
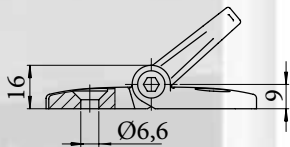
	A	B	L		Code
8/8	17	17	58	30 x 30	12068
8/10	17	24,5	74	30 x 45	12069
8/10	17	32	89	30 x 60	12070
10/10	24,5	24,5	90	45 x 45	12071
10/10	24,5	32	105	45 x 60	12072
10/10	32	32	120	60 x 60	12099

**Naziv**  
**Description**

Tečaj z ročico  
Hinge with lever

**Descrizione**  
**Beschreibung**

Cerniera con maniglia  
Scharnier mit Aretierung



**Material** PA 6  
**Material** PA 6  
**Materiale** PA 6  
**Material** PA 6

**NEW**

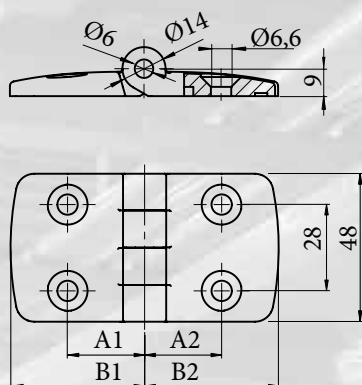
	A	B		Code
8/8	17,5	29,5	30 x 30	12073
10/10	22,5	38,5	40 x 40	12117
10/10	25	43,5	45 x 45	12074
10/10	32,5	57,5	60 x 60	12075

**Naziv**  
**Description**

Tečaj PA  
Hinge PA

**Descrizione**  
**Beschreibung**


Cerniera PA  
Scharnier PA



**NEW**

**NEW**  
**NEW**  
**NEW**

**Material** PA 6  
**Material** PA 6  
**Materiale** PA 6  
**Material** PA 6

	A1	A2	B1	B2		Code
8/8	17,5	17,5	29,5	29,5	30 x 30	12102
8/10	17,5	22,5	29,5	38,5	30 x 40	12118
8/10	17,5	25	29,5	43,5	30 x 45	12103
10/10	17,5	32,5	29,5	57,5	30 x 60	12104
10/10	22,5	22,5	38,5	38,5	40 x 40	12119
10/10	22,5	32,5	38,5	57,5	40 x 60	12120
10/10	25	22,5	43,5	38,5	45 x 40	12121
10/10	25	25	43,5	43,5	45 x 45	12105
10/10	25	32,5	43,5	57,5	45 x 60	12106
10/10	32,5	32,5	57,5	57,5	60 x 60	12107



# Accessories

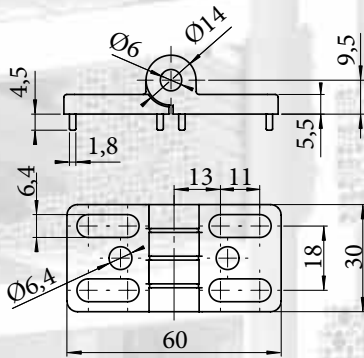
TRANSPORT LINES AND FLEXIBLE CONSTRUCTIONS IN AUTOMATION

**Naziv**  
**Description**

Tečaj cinkova zlitina  
Hinge Die-cast zinc

**Descrizione**  
**Beschreibung**

Cerniera Zama  
Scharnier Zinkdruckguss



**Material** Cinkova zlitina  
**Material** Die-cast zinc  
**Materiale** Zama  
**Material** Zinkdruckguss

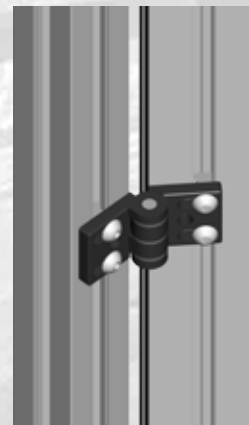
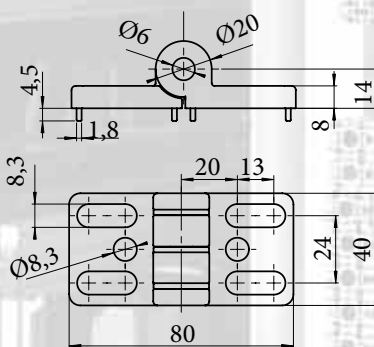
			<b>Code</b>
	8/8	Hinge Die-cast zinc	30 x 30
	8/10	Hinge Die-cast zinc	30 x 40
			12108
			12108

**Naziv**  
**Description**

Tečaj cinkova zlitina  
Hinge Die-cast zinc

**Descrizione**  
**Beschreibung**

Cerniera Zama  
Scharnier Zinkdruckguss



**Material** Cinkova zlitina  
**Material** Die-cast zinc  
**Materiale** Zama  
**Material** Zinkdruckguss

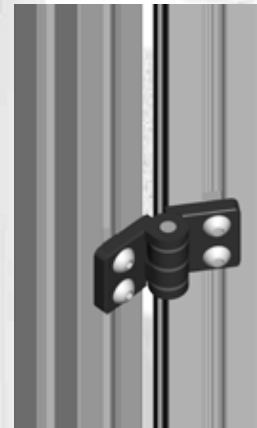
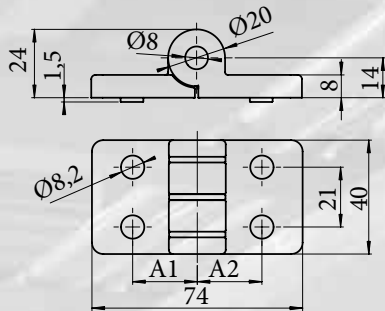
			<b>Code</b>
	10/10	Hinge Die-cast zinc	40 x 40
	10/10	Hinge Die-cast zinc	40 x 45
	10/10	Hinge Die-cast zinc	40 x 60
	10/10	Hinge Die-cast zinc	45 x 60
	10/10	Hinge Die-cast zinc	60 x 60
			12110
			12110
			12110
			12110
			12110

**Naziv**  
**Description**

Tečaj cinkova zlitina  
Hinge Die-cast zinc

**Descrizione**  
**Beschreibung**

Cerniera Zama  
Scharnier Zinkdruckguss



**Material** Cinkova zlitina  
**Material** Die-cast zinc  
**Materiale** Zama  
**Material** Zinkdruckguss

**NEW**  
**NEW**

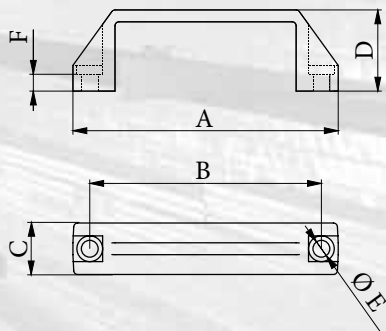
		A1	A2		Code
	10/10	22,5	22,5	40 x 40	12122
	10/10	22,5	22,5	40 x 45	12123
	10/10	25	25	45 x 45	12113

**Naziv**  
**Description**

Ročaj  
Bridge handle

**Descrizione**  
**Beschreibung**

Maniglia  
Bügelgriff



**Material** PA 6  
**Material** PA 6  
**Materiale** PA 6  
**Material** PA 6

		A	B	C	D	ØE	F	Code
	8/10	107	93,5	21	36	6,5	6	12076
	8/10	134	117	26	41	8,5	8,5	12077
	8/10	197	179	28	50	8,5	8,5	12078



# Accessories

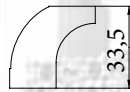
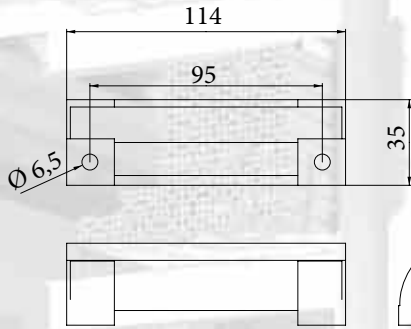
TRANSPORT LINES AND FLEXIBLE CONSTRUCTIONS IN AUTOMATION

**Naziv**  
**Description**

Ročaj zaprt  
Closed handle

**Descrizione**  
**Beschreibung**

Maniglia chiusa  
Bügelgriff geschlossen



**Material** PA 6  
**Material** PA 6  
**Materiale** PA 6  
**Material** PA 6



8/10

Closed handle

**Code**

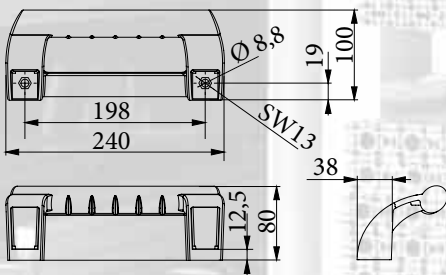
12079

**Naziv**  
**Description**

Ročaj  
Bridge handle

**Descrizione**  
**Beschreibung**

Maniglia  
Maschinengriff



**Material** PA 6  
**Material** PA 6  
**Materiale** PA 6  
**Material** PA 6



8/10

Bridge handle

**Code**

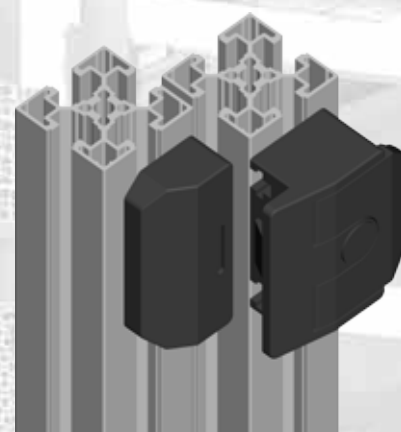
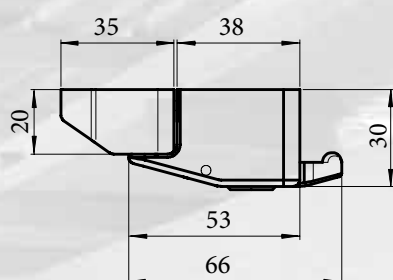
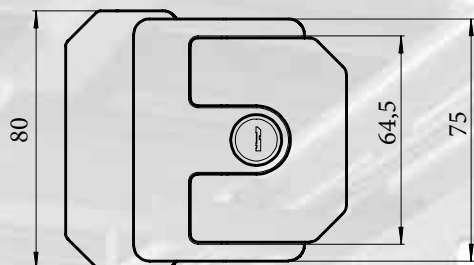
12080

**Naziv**  
**Description**

Kljuka s klj. univerzalna  
Slam latch universal

**Descrizione**  
**Beschreibung**

Maniglia con serr. universale  
Türschloss universal



**Material** Cinkova zlitina  
**Material** Die-cast zinc  
**Materiale** Zama  
**Material** Zinkdruckguss



8/10

Slam latch universal

**Code**

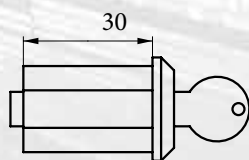
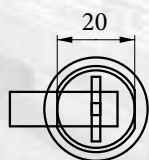
12081

**Naziv**  
**Description**

Ključavnica vgradna  
Lock

**Descrizione**  
**Beschreibung**

Serratura  
Schloss



**Material** Niklana medenina  
**Material** Brass nickeled  
**Materiale** Ottone nichelato  
**Material** Vernickelt messing



8

Lock

**Code**

12082



# Accessories

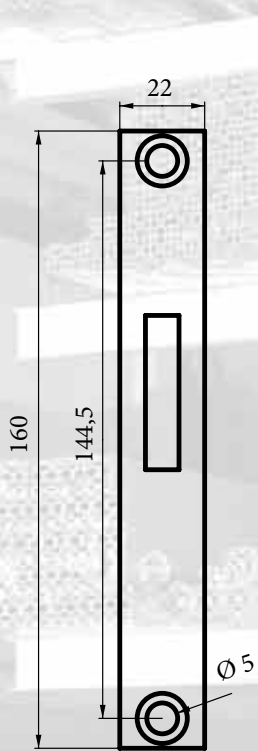
TRANSPORT LINES AND FLEXIBLE CONSTRUCTIONS IN AUTOMATION

**Naziv**  
**Description**

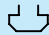
Ključavnica  
Lock

**Descrizione**  
**Beschreibung**

Serratura  
Schloss



**Material** Pocinkano jeklo  
**Material** Zinc steel  
**Materiale** Acciaio zincato  
**Material** Stahl-verzinkt

	<b>Code</b>
10 Lock	12083

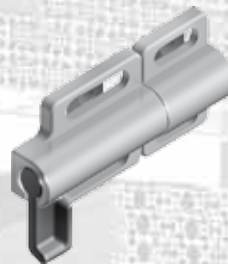
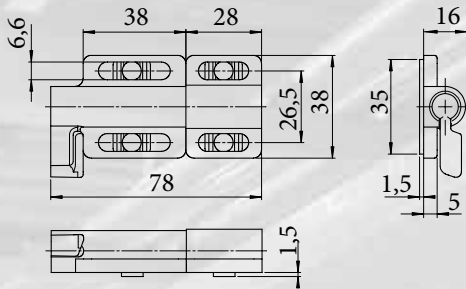


**Naziv**  
**Description**

Zapiralo  
Door latch

**Descrizione**  
**Beschreibung**

Chiavistello  
Verschluss



**Material** Cinkova zlitina  
**Material** Die-cast zinc  
**Materiale** Zama  
**Material** Zinkdruckguss

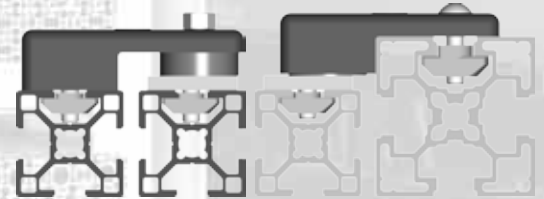
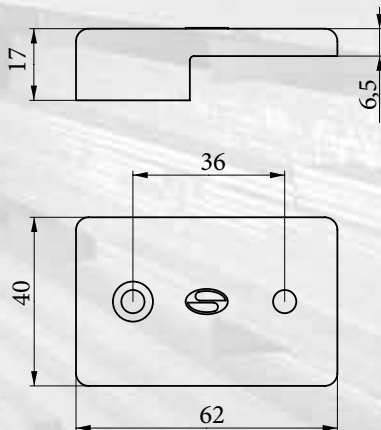
		<b>Code</b>
	8/10	12084

**Naziv**  
**Description**

Magnet  
Magnetic catch

**Descrizione**  
**Beschreibung**

Chiusura magnetica  
Magnetschnapper



**Material** PA 6  
**Material** PA 6  
**Materiale** PA 6  
**Material** PA 6

**NEW**

**NEW**

		<b>Code</b>
	8/8	12085
	8/10	12125
	8/10	12086
	10/10	12087
	10/10	12126
	10/10	12087



# Accessories

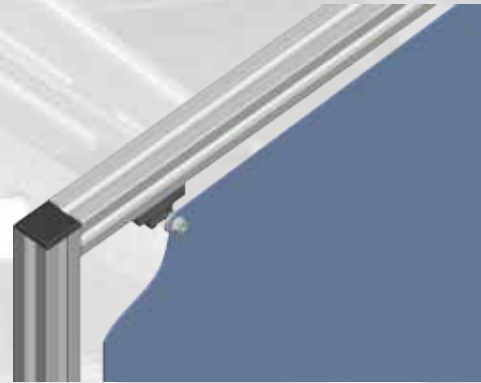
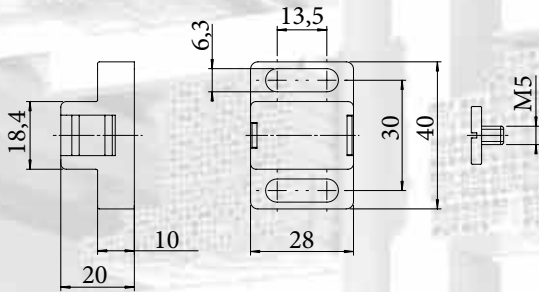
TRANSPORT LINES AND FLEXIBLE CONSTRUCTIONS IN AUTOMATION

**Naziv**  
**Description**

Magnet univerzalni  
Magnetic catch universal

**Descrizione**  
**Beschreibung**

Magnete universale  
Magnetschnäpper



**Material** PA 6  
**Material** PA 6  
**Materiale** PA 6  
**Material** PA 6



8/10

Magnetic catch universal

**Code**

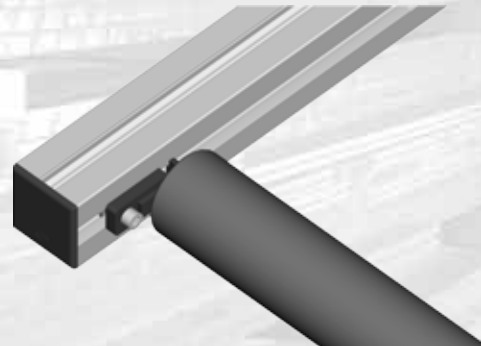
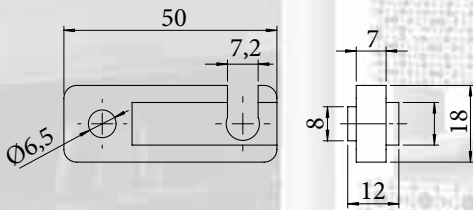
12088

**Naziv**  
**Description**

Nosilec valja  
Roller mounting block

**Descrizione**  
**Beschreibung**

Staffa per rulli  
Rollenfix



**Material** PA 6  
**Material** PA 6  
**Materiale** PA 6  
**Material** PA 6



8/10

Roller mounting block

**Code**

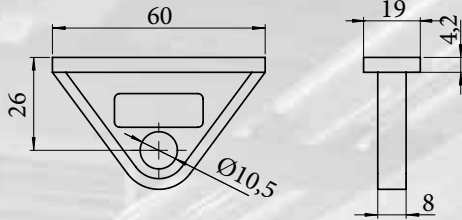
12089

**Naziv**  
**Description**

Obešalna spona / Drsnik  
Snap hook / Slider

**Descrizione**  
**Beschreibung**

Moschettone / Occhiello  
Hängegleiter / Karabinerhaken



**Material** Pocinkano jeklo / PA6  
**Material** Zinc steel / PA6  
**Materiale** Acciaio zincato / PA6  
**Material** Stahl-verzinkt / PA6

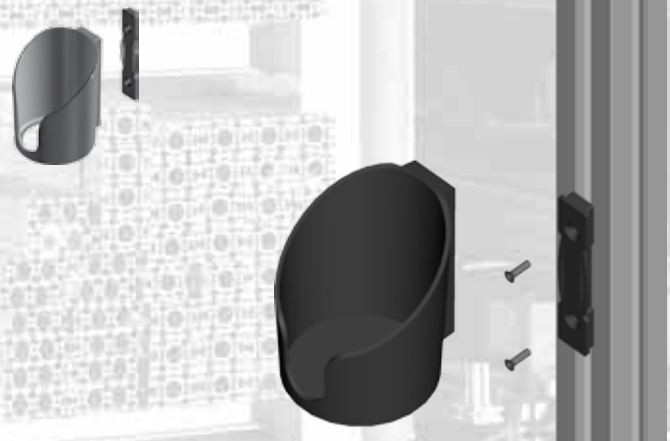
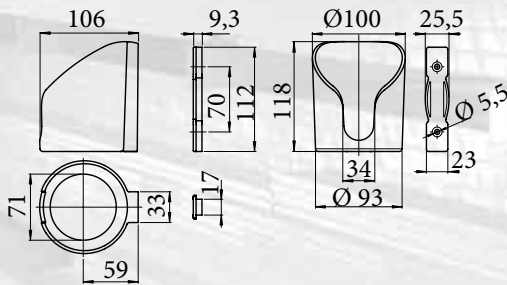
			<b>Code</b>
10		Snap hook	12090
10		Slider	12091

**Naziv**  
**Description**

Nosilec  
Cup holder

**Descrizione**  
**Beschreibung**

Portaoggetti  
Werkzeugträger



\* Zaprto dno  
Closed bottom  
Fondo chiuso  
Bodenverschlossen

**Material** PA 6  
**Material** PA 6  
**Materiale** PA 6  
**Material** PA 6  
**Barva** Črna  
**Color** Black  
**Colore** Nero  
**Farbe** Schwarz

			<b>Code</b>
10		Cup holder	12092
10		Cup holder	12093 *

Ostale barve po naročilu  
Other colors upon request  
Altri colori a richiesta  
Verschiedene Farbe möglich



# Accessories

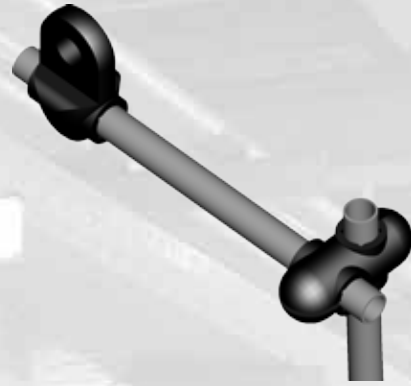
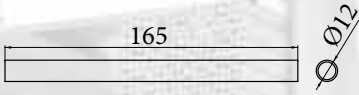
TRANSPORT LINES AND FLEXIBLE CONSTRUCTIONS IN AUTOMATION

**Naziv**  
**Description**

Cev Ø 12  
Tube Ø 12

**Descrizione**  
**Beschreibung**

Tubo Ø 12  
Rohr Ø 12



**Material** AL  
**Material** AL  
**Materiale** AL  
**Material** AL

Tube Ø 12

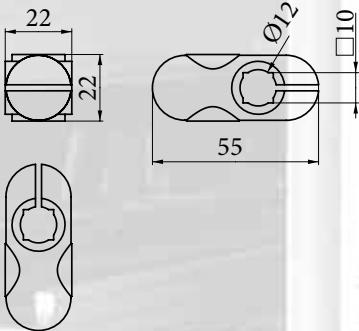
**Code**  
12094

**Naziv**  
**Description**

Nosilec senzorja  
Sensor support

**Descrizione**  
**Beschreibung**

Supporto sensore  
Sensor Träger



**Material** PA 6  
**Material** PA 6  
**Materiale** PA 6  
**Material** PA 6

Sensor support

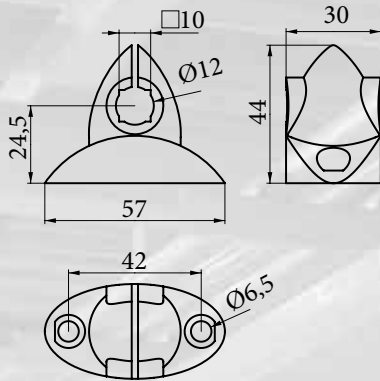
**Code**  
12095

**Naziv**  
**Description**

Nosilec senzorja  
Sensor support

**Descrizione**  
**Beschreibung**

Supporto sensore  
Sensor Träger



**Material** PA 6  
**Material** PA 6  
**Materiale** PA 6  
**Material** PA 6

Sensor support

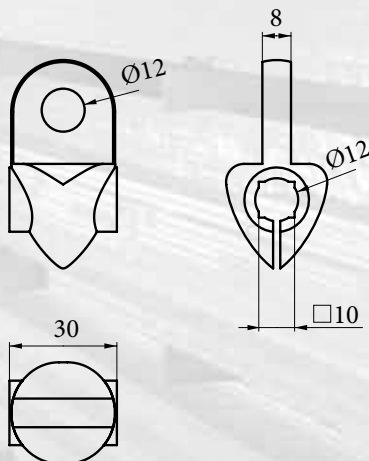
**Code**  
12096

**Naziv**  
**Description**

Nosilec senzorja  
Sensor support

**Descrizione**  
**Beschreibung**

Supporto sensore  
Sensor Träger



**Material** PA 6  
**Material** PA 6  
**Materiale** PA 6  
**Material** PA 6

Sensor support

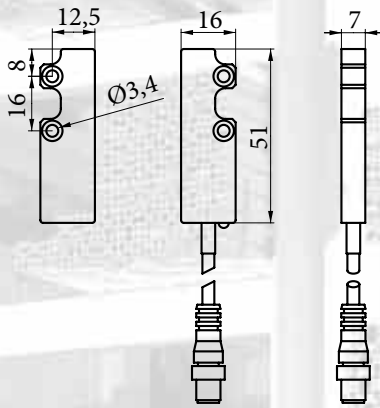
**Code**  
12097

**Naziv**  
**Description**

Varnostno stikalo magnetno  
Security magnetic switch

**Descrizione**  
**Beschreibung**

Contatto magnetico di sicurezza  
Magnetsicherheit Schalter



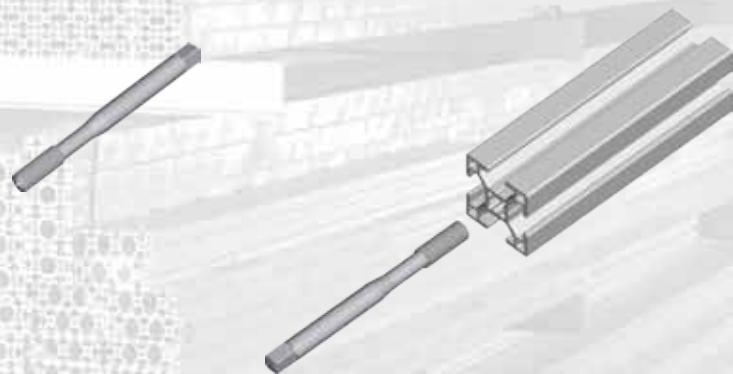
		Code
Security magnetic switch		12098

**Naziv**  
**Description**

Sveder za valjanje navojev  
Thread forming tap

**Descrizione**  
**Beschreibung**

Maschio a rullare  
Gewindeformer

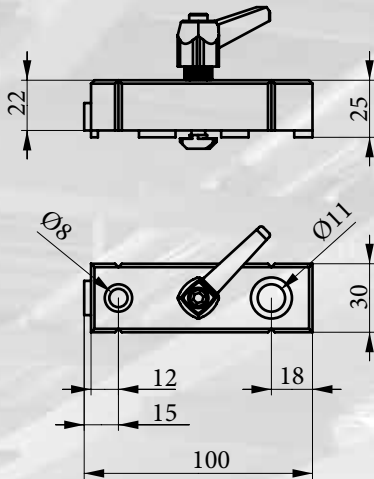


M		Code
8	Thread forming tap	13001
10	Thread forming tap	13002
12	Thread forming tap	13003
16	Thread forming tap	13004

**Material** HSS  
**Material** HSS  
**Materiale** HSS  
**Material** HSS

**Naziv** Priprava za vrtanje  
**Description** Drilling device

**Descrizione** Dispositivo di perforazione  
**Beschreibung** Bohrvorrichtung

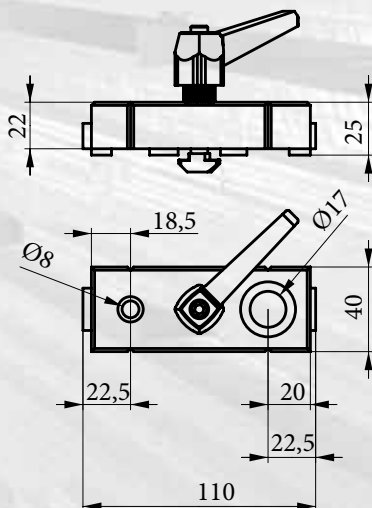


**Material** Aluminij  
**Material** Aluminium  
**Materiale** Aluminio  
**Material** Aluminium

	<b>NEW</b>
8	Code 13005
Drilling device	

**Naziv** Priprava za vrtanje  
**Description** Drilling device

**Descrizione** Dispositivo di perforazione  
**Beschreibung** Bohrvorrichtung



**Material** Aluminij  
**Material** Aluminium  
**Materiale** Aluminio  
**Material** Aluminium

	<b>NEW</b>
10	Code 13006
Drilling device	







Valjčne proge  
Roller rails  
Rulliere  
Rollenschinen

